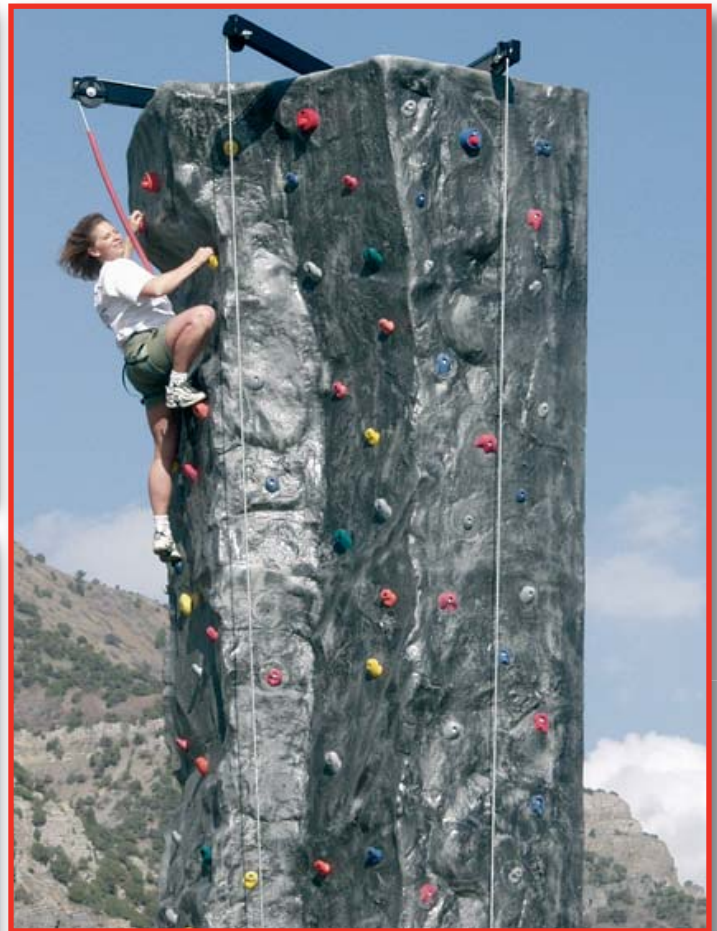


# Mobile Climbing Towers

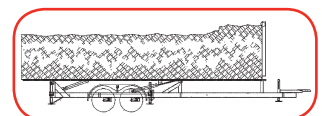
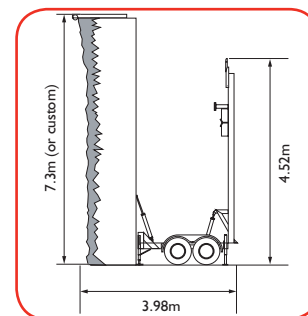


## The most reliable mobile tower on the market

The Climbing Tower offers four independent hydraulic belay systems that use steel cables to support the climber during climbing and descent. This system is far safer, more durable and cost efficient than other belay systems available. Innovative Leisure have supplied Mobile Climbing Towers to independent mobile operators, community projects, Scout groups and the recruitment divisions of the Army, RAF and the Royal Marines. They are built tough and ready for 1000's of your customers.

- Proven to be a strong earner within the daily hire/ event market
- Available in 7.3m, 8.5m and 10m models all with four person capacity
- Four independent hydraulic auto belay systems utilising steel cables (not cloth tape)
- Sixteen layer one piece fibre glass climbing surface increases strength, stability and longevity
- Rated for operation up to wind speeds of 30mph (UK approved)
- A range of colour and surface texture options (fibreglass and steel frame)
- Remote control hydraulic lift means set up and break down time is minimal
- Detachable, purpose designed, full length trailer – tow the trailer not the wall
- Folding trailer option greatly reduces footprint
- UK/EN approved coupler, brakes, tyres, axles and lighting as standard
- Set up time: One operator 30 minutes, two operators 20 minutes or less

## Technical Specification



- Trailer length (excl. Coupler & climbing wall load) 6.9m
- Trailer length (incl. Coupler & climbing wall load) 8.5m
- Trailer width 2.28m
- Trailer height 2.77m
- Trailer weight, other technical specs and custom builds – ask for details

## Optional Extras (specifically for Mobile Towers)

- Folding trailer with extra hydraulic ram
- Electronic Climber Timer system
- Banner kits
- Mobile safety mats
- Inflatable safety barrier
- Free standing safety barrier system
- Trailer mounted lockable tool boxes
- Outdoor storage cover
- Custom framework and trailer colours
- Vinyl mesh back cover