

# Rascal Rocket



In control



Park model



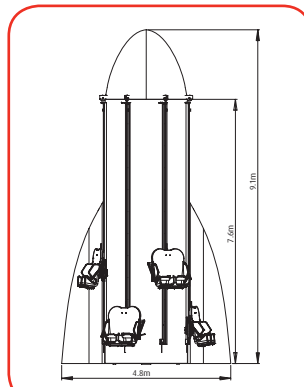
Four seater mobile

## Rascal Rocket control the fun!

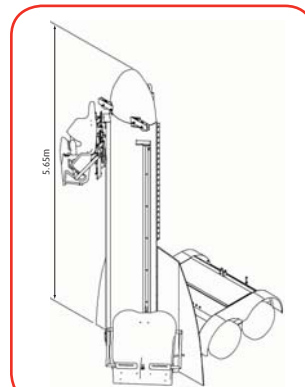
The Rascal Rocket is a vertical amusement ride for children and adults designed as a new shared experience. The unique feature of this vertical attraction is that the customer has control of the vertical motion through use of a joystick that is part of the seat design. The rider control means they can choose their own experience from a gentle scenic trip to a bouncing thrill ride. The maximum weight per seat is a combined total of 18 stone (120 Kgs) so typically this includes two children or one adult and one child per seat. The Rascal Rocket is perfect for theme parks, resorts and mobile operators who want to introduce smaller kids to thrill rides.

- Two models available. 16ft Mobile version with four person capacity and 24ft Stationary version with eight player capacity
- Designed to be a shared experience attraction for either two children or adult and child together
- Rider controlled allows customers to choose their own experience
- Independent ride control box incorporates key operated controls and E-Stop feature
- The Rascal Rocket is the standard face but the option to customise is available
- One dedicated operator required but two are advised during busy periods
- Electrical Requirements: Mobile Model – 220v Single Phase rated at 32amps, 50Hz
- Electrical Requirements: Static Model - 220/230v Three Phase rated at 50amps, 60Hz

## Technical Specification



Eight player park model



Four player mobile model